



EARL'S COLNE INDUSTRIAL PARK,
THE AIRFIELD, EARL'S COLNE,
COLCHESTER, ESSEX, CO6 2NS.
TEL: 07875 3931

DATA SHEET WC 180/B

FORM	SECTION	SELF WT kN/m ²	SUPERIMPOSED FLOOR LOADS kN/m ² ALLOWS FOR 50 SCREED & CEILING (1.42 kN/m ²)						
			0.75	1.50	2.5	3.5	5.0	7.5	10.0
S 600 Crs	A – A	2.16	6.47	5.99	5.47	5.06	4.38	3.34	2.70
S 450 Crs	B – B	2.27	7.20	6.86	6.27	5.81	5.27	4.42	3.58
D 790 Crs	D – D	2.61	7.20	7.20	6.72	6.22	5.65	4.96	4.09
D 640 Crs	D – D	2.80	7.20	7.20	7.20	6.88	6.25	5.50	4.96

TABLE SHOWING CLEAR SPANS IN METRES FOR VARIOUS ARRANGEMENTS OF BEAMS & BLOCKS. ALL BEAMS ARE PRESTRESSED AND HAVE AN UPWARD CAMBER
GREATER SPANS THAN THOSE SHOWN ABOVE CAN BE CATERED FOR BY APPLYING A COMPOSITE CONCRETE TOPPING SHEAR LINKS ARE PROVIDED ALONG THE TOP FLANGES OF THE BEAMS.

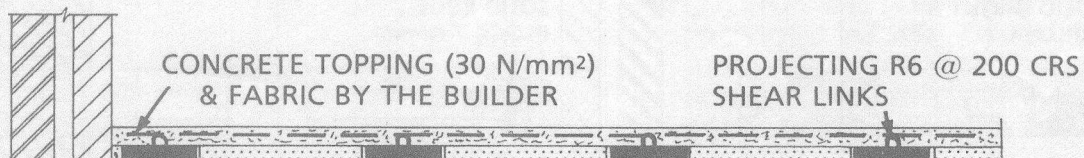


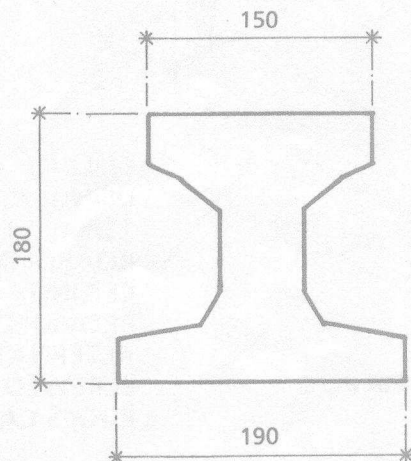
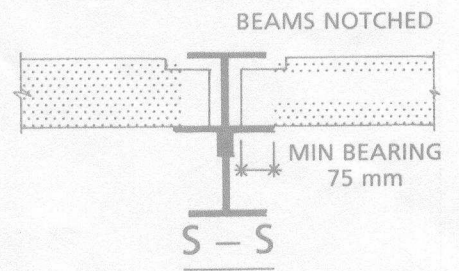
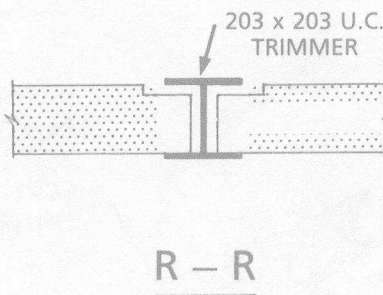
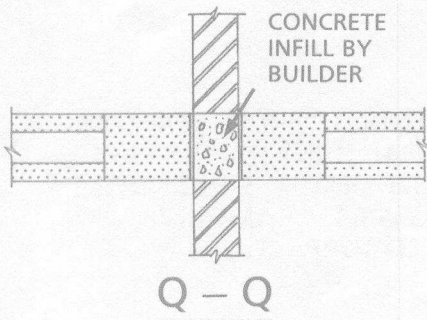
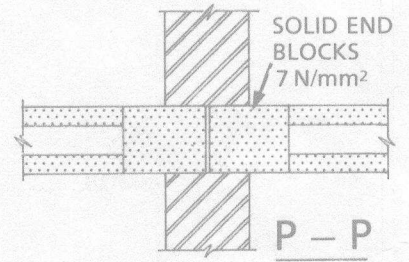
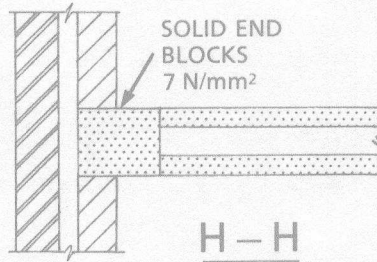
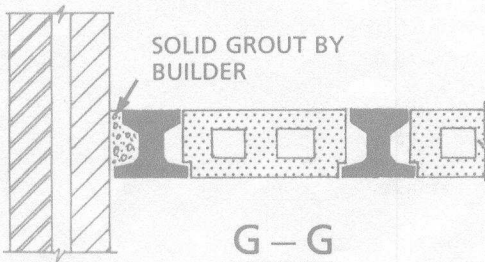
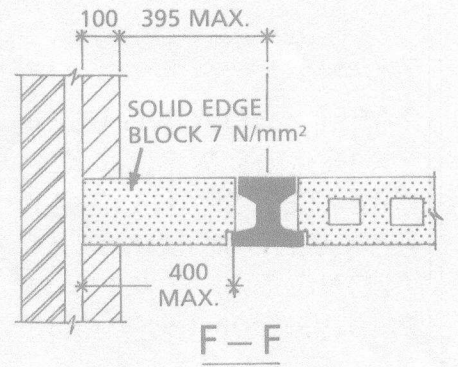
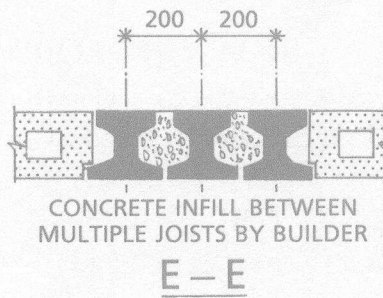
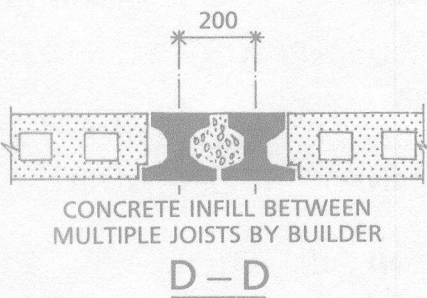
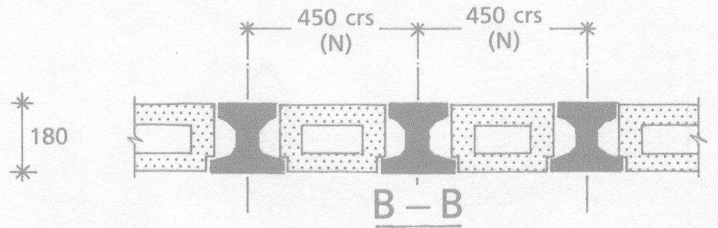
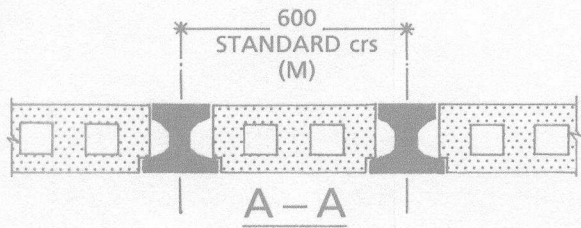
EARL'S COLNE INDUSTRIAL PARK,
THE AIRFIELD, EARL'S COLNE,
COLCHESTER, ESSEX, CO6 2NS.
TEL: 07875 3931

DATA SHEET WC 180/X

SPACING	SECTION	SELF WT kN/m ²	SUPERIMPOSED FLOOR LOADS kN/m ² ALLOWS FOR 50 SCREED & CEILING (1.42 kN/m ²)						
			0.8	1.50	2.5	3.5	5.0	7.5	10.0
S 650 Crs	A – A	2.31	7.2	6.62	6.05	5.61	5.01	4.48	4.04
S 500 Crs	B – B	2.47	7.2	7.2	6.84	6.35	5.78	5.09	4.60
D 890 Crs	D – D	2.8	7.2	7.2	7.2	6.74	6.13	5.40	4.88
D 740 Crs	D – D	3.0	7.2	7.2	7.2	7.2	6.69	5.90	5.34

TABLE SHOWING CLEAR SPANS FOR VARIOUS ARRANGEMENTS OF BEAMS & BLOCKS. ALL BEAMS ARE PRESTRESSED AND HAVE AN UPWARD CAMBER
GREATER SPANS THAN THOSE SHOWN ABOVE CAN BE CATERED FOR BY APPLYING A COMPOSITE CONCRETE TOPPING SHEAR LINKS ARE PROVIDED ALONG THE TOP FLANGES OF THE BEAMS.
PLEASE CONTACT OUR DESIGN OFFICE FOR FURTHER INFORMATION.





M_s	=	14.09 kNm
M_u	=	22.09 kNm
V_{co}	=	22.74 kNm
WEIGHT	=	47 kg/m