

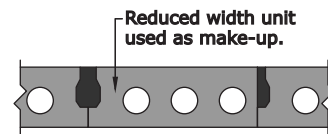
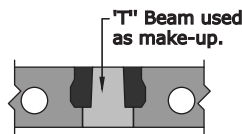
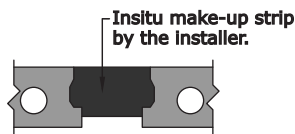
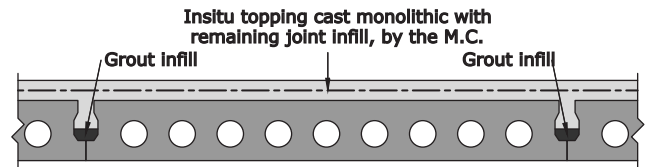
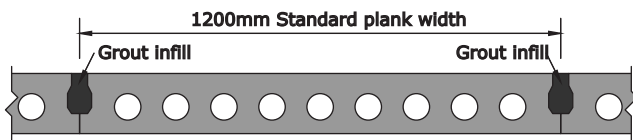
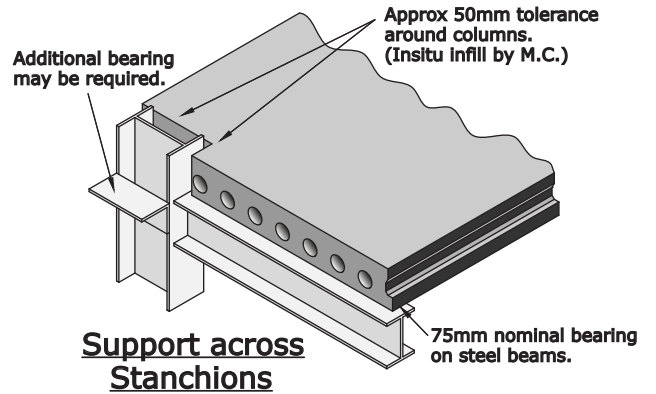
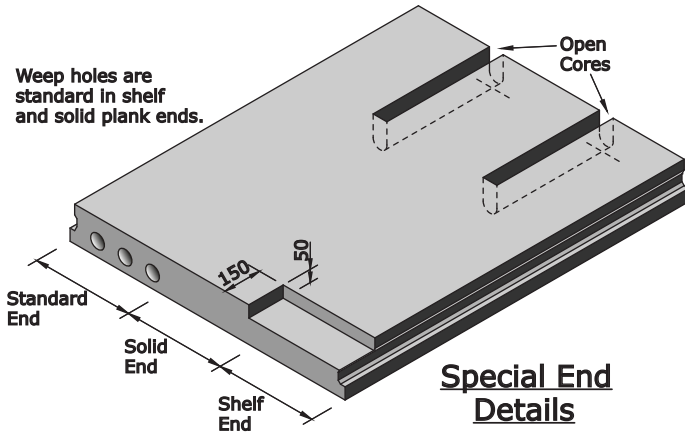


Earls Colne Business Park, Earls Colne,
Colchester, Essex, CO6 2NS

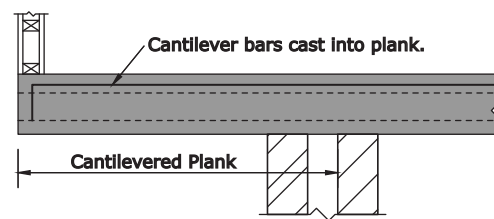
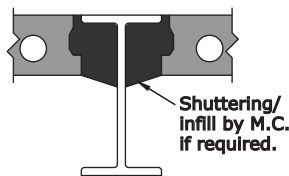
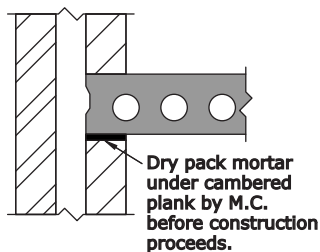
Tel: 01787 223931

Email: estimating@milbank.co.uk

Email: design@milbank.co.uk



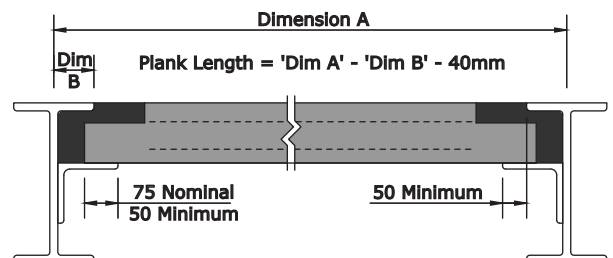
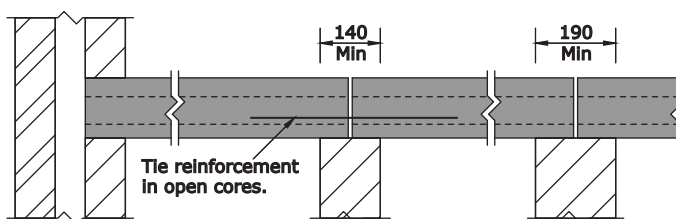
Typical make-up/infill details



Camber & Masonry

Parallel steels

Cantilevered planks



Where planks span on to a wall from both sides a minimum wall thickness of 190mm is recommended. Where a wall thickness of 190mm cannot be achieved a tie should be provided at the support. (N.B. the wall thickness should never be less than 140mm in this situation). In order to satisfy the tolerance for this situation a narrow support should only be used at one end of the plank. Note: A shared bearing can also be achieved by the use of a metal 'bearing plate' together with the tie detail shown above.

Bearing details for large steels



Earls Colne Business Park, Earls Colne,
Colchester, Essex, CO6 2NS

Tel: 01787 223931

Email: estimating@milbank.co.uk

Email: design@milbank.co.uk

PS-150L			
Unit	Ms=kNm/1.2m	Mu=kNm/1.2m	Vco=kN/1.2m
2s+8w	34.74	47.78	92.02
4s+6w	39.31	58.41	95.94
6s+4w	43.70	69.51	100.40
8s+2w	47.90	78.54	105.83
10s	51.91	86.96	112.93
12s	58.06	99.03	118.10

Area= 120,710mm ²	I= 295,781,387mm ⁴
Zt= 3,824,652mm ³	Nat= 77mm
Zb= 4,070,508mm ³	Nab= 73mm

PS-150H			
Unit	Ms=kNm/unit	Mu=kNm/unit	Vco=kN/unit
2s+8w	34.81	47.78	125.02
4s+6w	39.37	58.41	129.89
6s+4w	43.76	68.64	135.42
8s+2w	47.96	77.78	142.20
10s	52.00	85.92	151.06
12s	58.20	97.91	157.62

Area=144,222mm ²	I= 318,134,332mm ⁴
Zt= 4,337,594mm ³	Nat= 73mm
Zb= 4,150,128mm ³	Nab= 77mm

PS-200			
Unit	Ms=kNm/unit	Mu=kNm/unit	Vco=kN/unit
2s+8w	55.32	69.16	131.23
4s+6w	62.43	85.66	136.55
6s+4w	69.25	101.32	142.55
8s+2w	75.79	116.59	149.80
10s	82.05	132.90	159.08
12s	91.61	155.28	166.13

Area=146,610mm ²	I= 672,726,664mm ⁴
Zt= 6,575,578mm ³	Nat= 102mm
Zb= 6,886,119mm ³	Nab= 98mm

PS-250			
Unit	Ms=kNm/unit	Mu=kNm/unit	Vco=kN/unit
2s+8w	76.75	89.90	165.15
4s+6w	86.37	111.99	171.67
6s+4w	95.61	133.99	178.97
8s+2w	104.50	155.89	187.68
10s	113.01	176.62	198.60
12s	126.02	208.61	207.27

Area= 167,710mm ²	I= 1,224,767,174mm ⁴
Zt= 9,590,847mm ³	Nat= 128mm
Zb= 10,014,587mm ³	Nab= 122mm