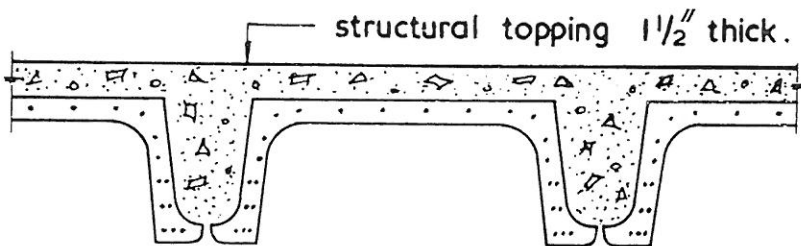
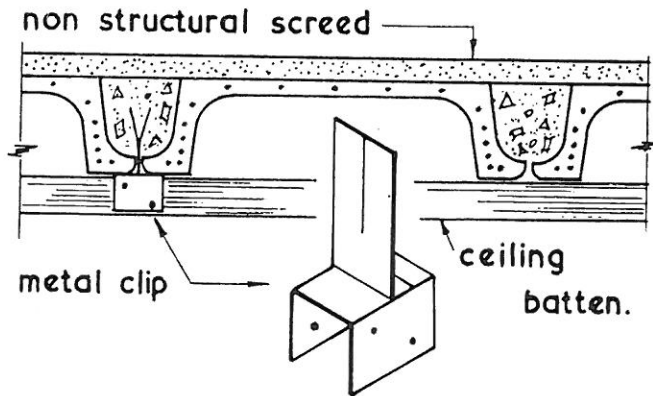


CHANNEL BEAMS

in depth from 4 1/2" to 9 1/2", cover the full range of requirements for floor and flat roof constructions and combined where necessary with insitu concrete in a composite construction, are unique in their ability to solve structural problems.



for further information and advice please write:

MILBANK FLOORS LTD.

HOWE STREET,
GT. WALTHAM,
CHELMSFORD, ESSEX

TABLE OF CLEAR SPANS

SECTION.	A	B	Superimposed load in lbs. per sq. ft.													
			15	25	30	40	50	60	70	80	100	112	150	168	200	224
TROUGH FLOOR 1 1/2" Topping Finishes	16'	4 1/2"	13'6"	12'7"	12'4"	11'7"	11'2"	10'7"	10'4"	9'10"	9'2"	8'10"	8'0"	7'7"	7'2"	6'10"
		5 1/2"	19'11"	18'7"	18'2"	17'2"	16'6"	15'10"	15'1"	14'6"	13'6"	12'1"	12'0"	11'6"	10'9"	10'3"
		6 1/2"	24'1"	22'10"	22'1"	21'0"	20'1"	18'5"	18'6"	18'0"	16'11"	16'5"	14'11"	14'5"	13'5"	12'10"
TROUGH FLOOR With 1 1/2" non-structural topping	16 1/4'	7 1/2"	27'7"	26'1"	25'6"	24'1"	23'1"	22'3"	21'0"	20'11"	19'6"	18'11"	17'3"	16'6"	15'6"	14'10"
		8 1/2"	29'5"	28'0"	27'3"	26'0"	24'11"	24'0"	23'1"	22'3"	21'0"	20'3"	18'6"	17'11"	16'10"	16'1"
		9 1/2"	33'0"	31'3"	30'6"	28'11"	28'1"	27'1"	26'1"	25'3"	23'11"	23'1"	21'1"	20'3"	18'3"	18'5"
TROUGH FLOOR ceiling clip	16'	4 1/2"	17'11"	16'10"	16'4"	15'6"	14'9"	14'1"	13'6"	13'0"	12'11"	11'3"	10'7"	10'1"	9'6"	8'1"
		5 1/2"	21'10"	20'6"	19'10"	18'11"	18'0"	17'1"	16'6"	15'11"	14'11"	14'5"	13'0"	12'6"	11'7"	11'1"
		6 1/2"	28'5"	27'0"	26'1"	25'0"	23'11"	23'0"	22'1"	21'3"	20'0"	18'5"	17'6"	16'11"	15'9"	15'1"
TROUGH FLOOR With 1 1/2" structural topping laid monolithic with rib fill.	16 1/8'	7 1/2"	31'5"	29'11"	29'0"	27'8"	26'6"	25'4"	24'6"	23'8"	22'1"	21'2"	19'6"	18'10"	17'6"	16'6"
		8 1/2"	33'10"	32'1"	31'1"	29'11"	28'6"	27'6"	26'6"	25'6"	24'0"	23'3"	21'3"	20'4"	19'2"	18'5"
		9 1/2"	36'1"	34'5"	33'8"	32'1"	30'10"	29'10"	28'10"	27'10"	26'1"	25'3"	23'1"	22'2"	20'11"	20'0"